



## MCE - MRC 3G Low Power Remote Camera

- 3G / GPRS / GSM
- Robust IP67 Case
- Low Power
- 2 MegaPixel Sensor
- GPIO Connections
- Web enabled
- Internal Data storage
- Simple setup
- GPS Option
- Remote configuration
- Instant images

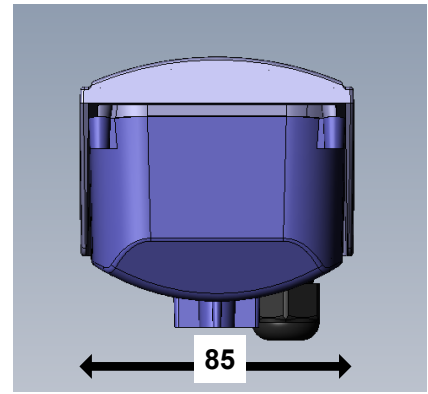
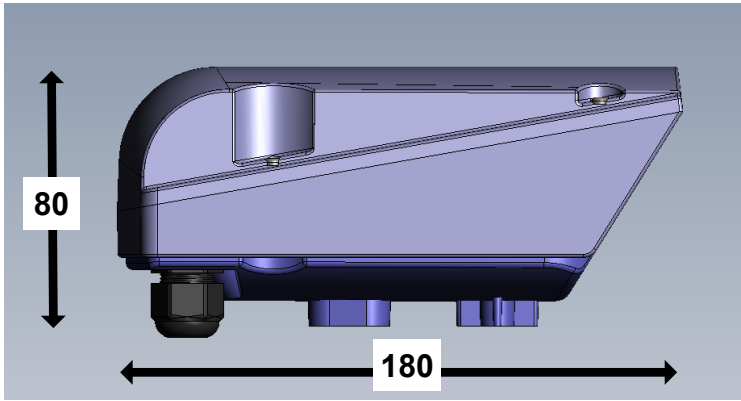
The MCE-MRC Remote Camera delivers high quality real time images from remote locations where data and mains power connections are not available. With ultra low power consumption, the camera can be powered from a small battery and solar panel all year round. Housed in an IP67 Polycarbonate enclosure the camera is designed for harsh outdoor environments.

The camera has excellent low light performance, producing high quality Colour images by day and optimised for use with IR illuminators for clear crisp black and white night vision. A selection of optics and filters can be specified to suit specific applications.

Images are transferred in real time via 3G or GPRS, providing robust image transfer even from areas of poor mobile coverage. Camera configuration and firmware updates can be performed remotely.

Images are sent to the Meteor web hosting platform, or can be integrated directly into existing applications using ftp or email. The camera GPIO allows direct connection of local sensors such as level switches, PIR etc.

The camera can send pictures at regular, scheduled intervals and be setup to be triggered automatically to provide alert images via email and enter enhanced polling modes for high water levels / intrusion.



### Camera Specification

Lens	M12 Board Mount. 3.6mm Standard (6mm, 12mm optional)
Resolution	2MP selectable up to 1600x1200
Image format	JPEG (adjustable compression)
Image Storage	Internal Memory card 32GB Max)
Input	Digital event triggering Input
Output	Digital output for automatic IR illuminator control or General Purpose
Zoom	Digital zoom 0-10 centralised
Image Transfer	FTP, email, direct to Meteor Web Portal
Configuration	SMS, email, bluetooth (optional)
Filter	IR bandpass, IR cut (optional)

### Communications

Modem	Quad Band GSM/GPRS/EDGE Class 10/12, Tri Band W-CDMA/HSDPA (3G)
Antenna	External SMA for Penta-Band Cellular antenna, Internal diversity antenna
GPS (Option)	GPS/GLONASS

### Physical Characteristics

Dimensions	180 x 80 x 85mm
Weight	200g
Operating Temperature	-20 to +60 Deg C
Housing	Polycarbonate
IP Rating	67

### Power

Operating Voltage	12V DC nominal (9-25V DC)
Operating current	15mA average at 12V DC (asumes one 800x600 image hourly)
Power Consumption	0.18W average
Monitoring	Internal battery monitor



FS 596313

